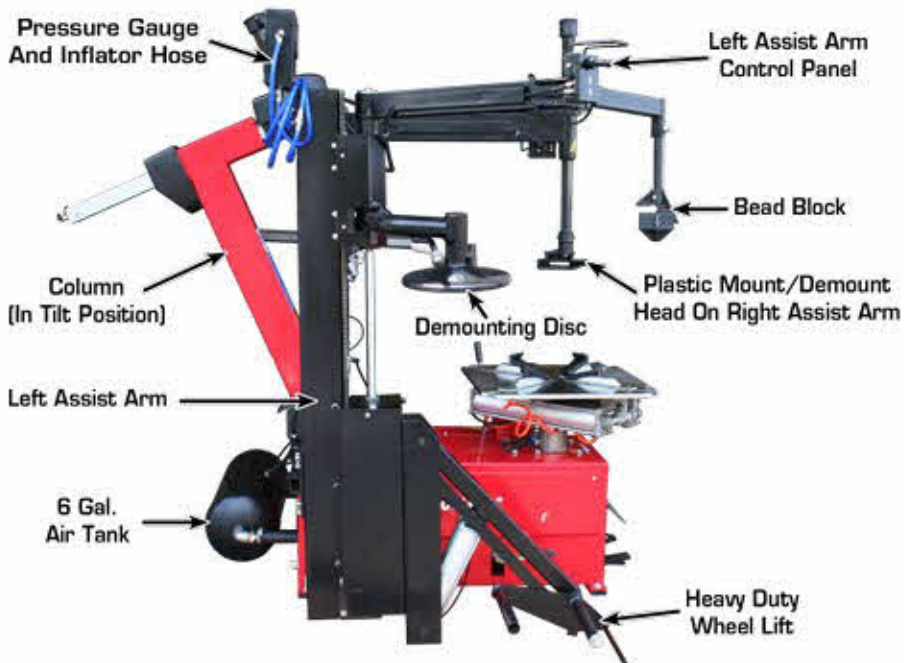


C288S TIRE CHANGER







Pressure Gauge
And Inflator Hose

Left Assist Arm
Control Panel

Bead Block

Column
(In Tilt Position)

Plastic Mount/Demount
Head On Right Assist Arm

Demounting Disc

Left Assist Arm

6 Gal.
Air Tank

Heavy Duty
Wheel Lift

Pressure Gauge
And Inflator Hose

Left Assist Arm
Control Panel

Bead Lifting
Disc

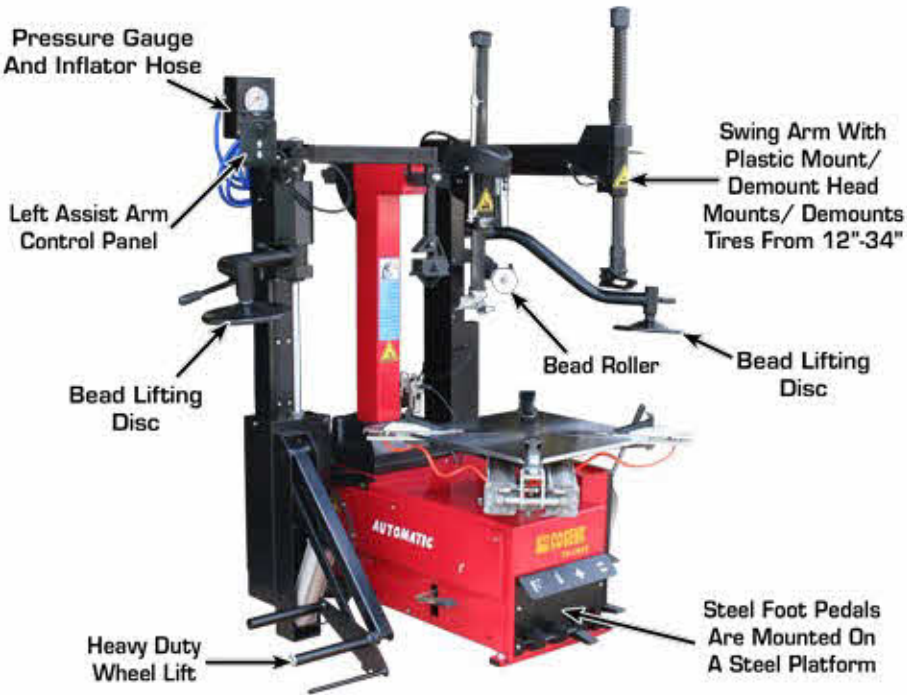
Heavy Duty
Wheel Lift

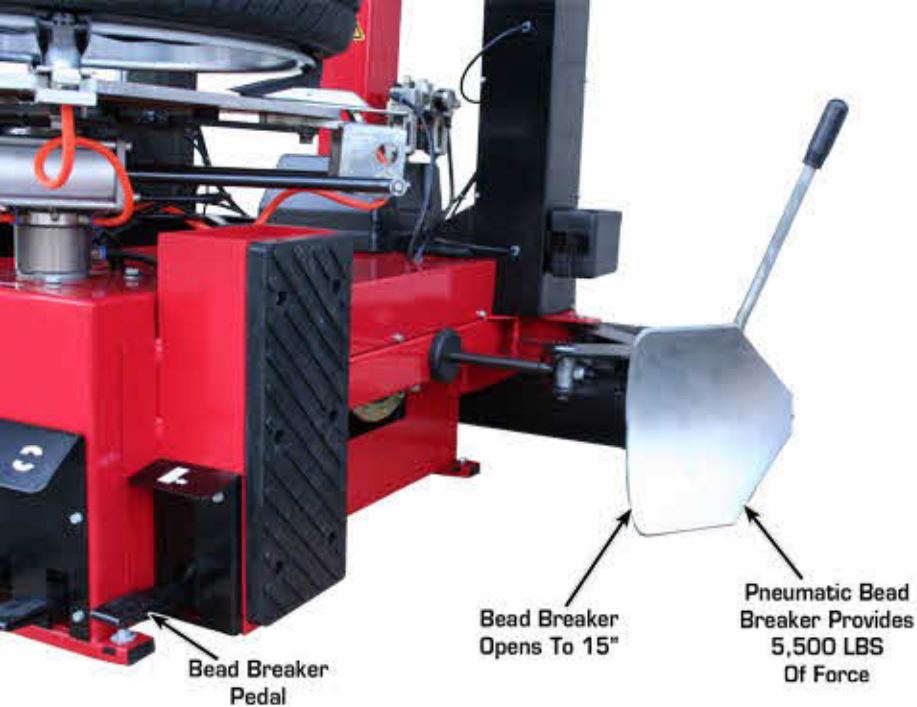
Swing Arm With
Plastic Mount/
Demount Head
Mounts/ Demounts
Tires From 12"-34"

Bead Roller

Bead Lifting
Disc

Steel Foot Pedals
Are Mounted On
A Steel Platform

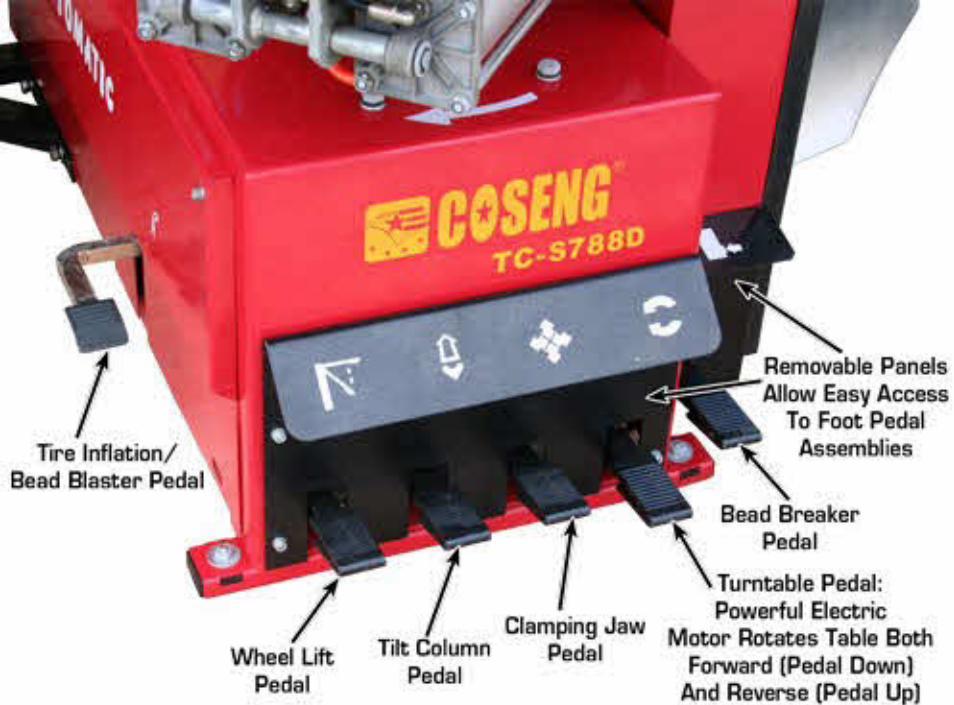


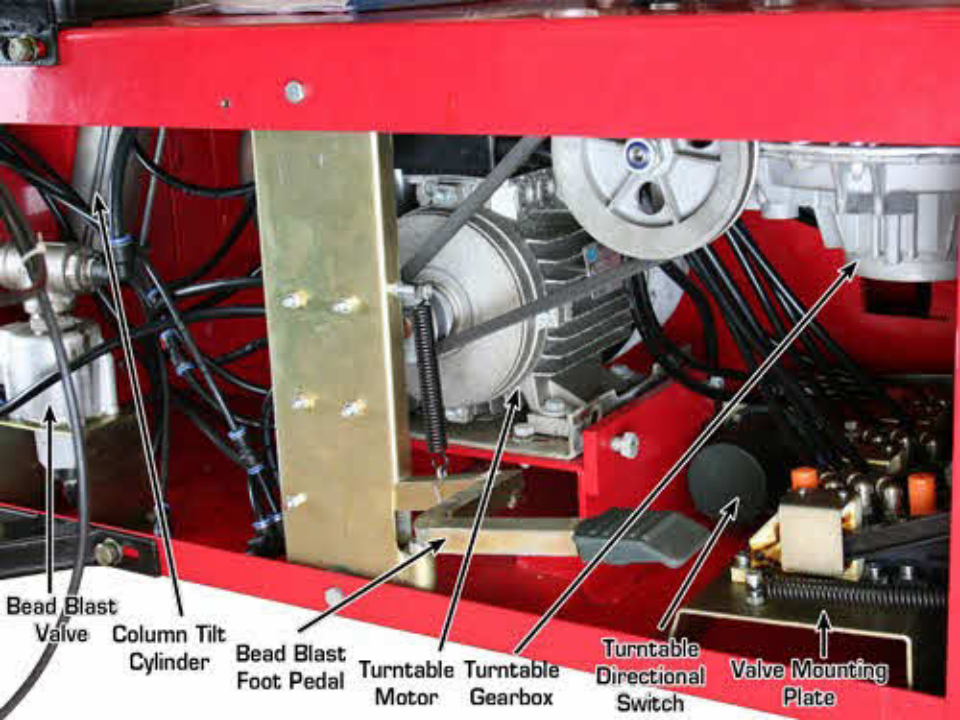


**Bead Breaker
Pedal**

**Bead Breaker
Opens To 15"**

**Pneumatic Bead
Breaker Provides
5,500 LBS
Of Force**





Bead Blast
Valve

Column Tilt
Cylinder

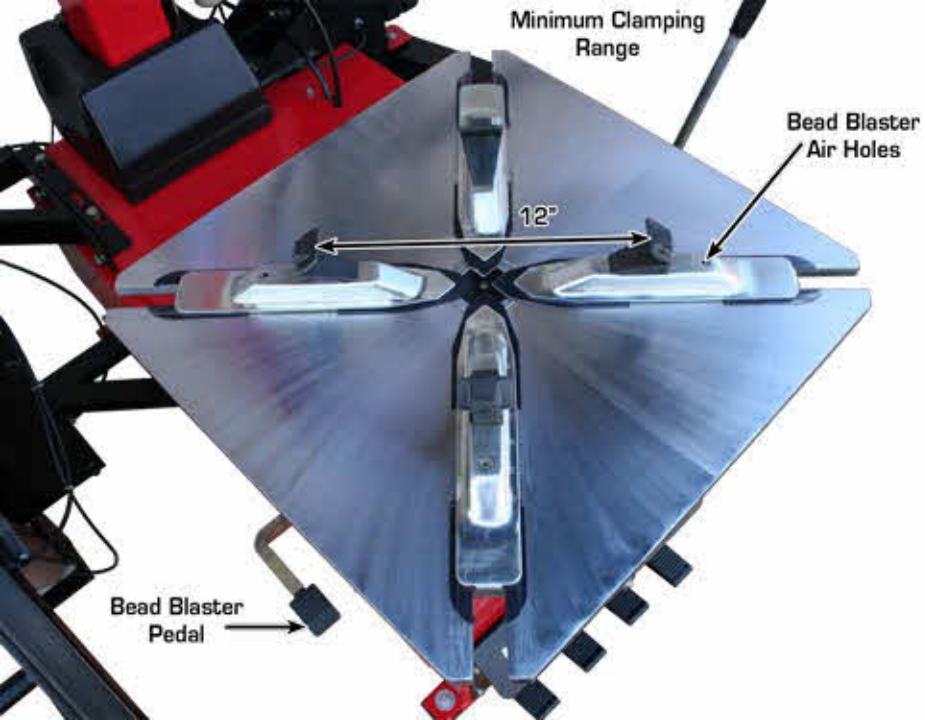
Bead Blast
Foot Pedal

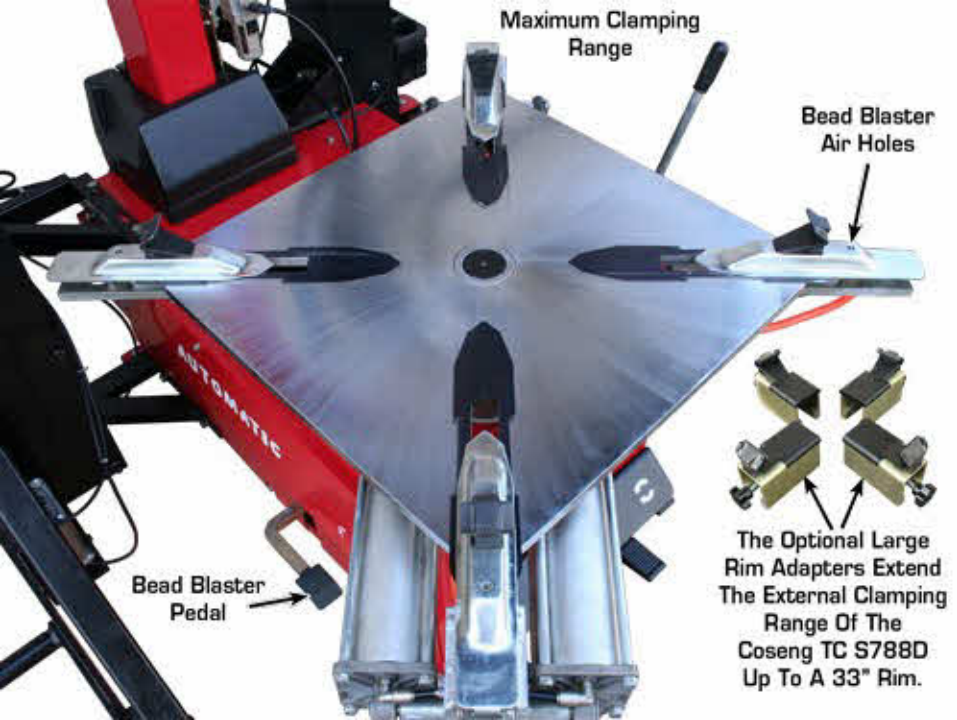
Turntable
Motor

Turntable
Gearbox

Turntable
Directional
Switch

Valve Mounting
Plate

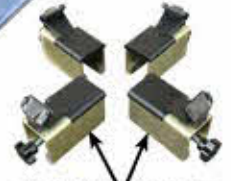




Maximum Clamping Range

Bead Blaster Air Holes

Bead Blaster Pedal



The Optional Large Rim Adapters Extend The External Clamping Range Of The Coseng TC S788D Up To A 33" Rim.

Ready To Ship

Crate 1 of 2



Ready To Ship

