

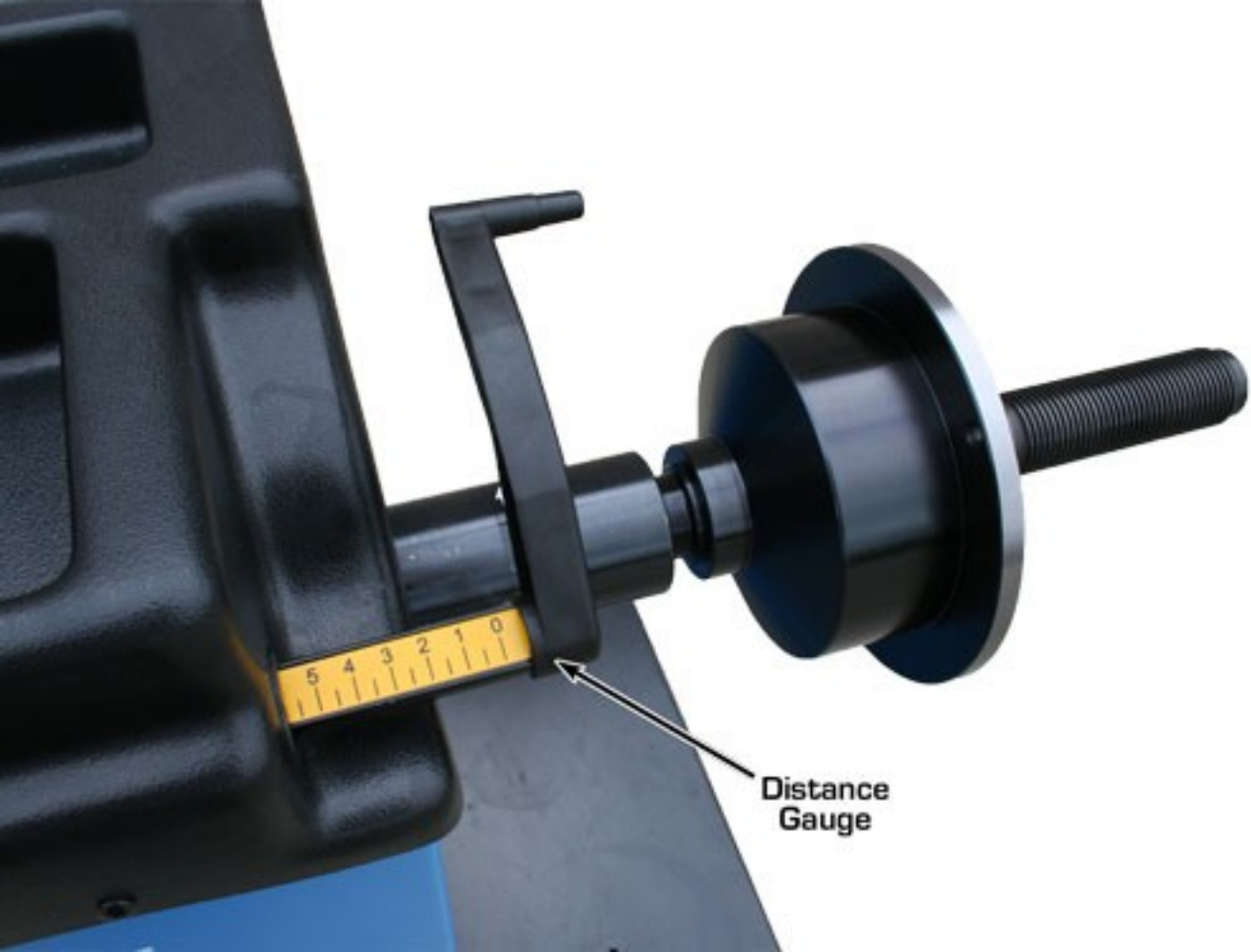








Haweka
Hand Spin
Nut



**Distance
Gauge**

Inside Weight Indicator

Outside Weight Indicator

Wheel Rim Distance Input Keys

Wheel Rim Diameter Input Keys

Wheel Rim Width Input Keys

Special Balancing Mode Indicator

Computer Wheel Balancer

Wheel Weight Indicators (When All Bars are Lighted Wheel Weight are Applied at 12 O'clock Position)



ALU Key
Special Balancing Modes
Select Desired Balance Mode
for Special ALU Wheels
(See Manufacture and
Manual for Wheel Selection)

On/Off Switch
Calibration Key
(See Manual For Use)

Function Button
Select Between
Static and Dynamic
Balance Mode

Fine Key
See The Indicated
Weight Amount Read
Below 5 grams or
0.3 oz.. (Applicable Only
After Spinning Stops)

Accessories Included With The Atlas WB-HS Hand Spin Wheel Balancer

